

INTRAMEDULARNI TRANSFIKSACIONI KLINOVI



TRANSFIXATION INTRAMEDULLARY NAILS

Narcissus

Implantati i instrumenti za osteosintezu /
Implants and instruments for osteosynthesis

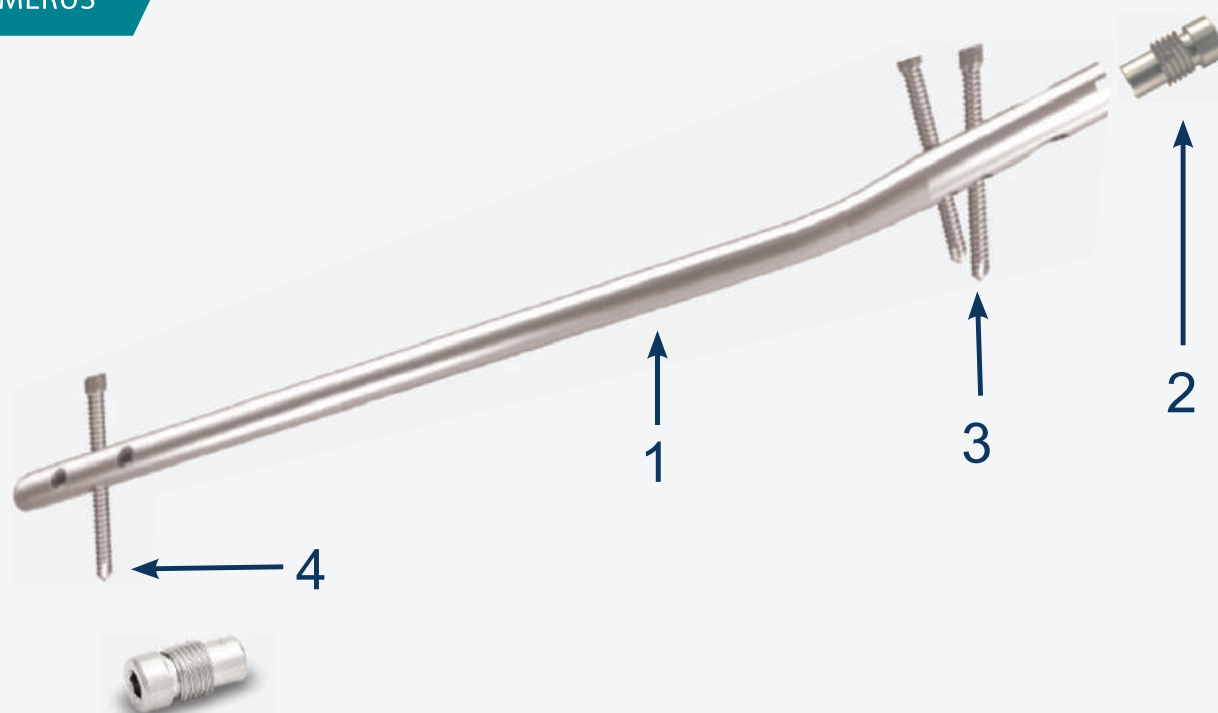
T.I.K. HUMERUS


 Humerus klin (1)
 / Humerus nail (1)

Dužina (mm) /Length (mm)	Prečnik klina (mm) / Diameter (mm)							
	6	7	8	9	10	11	12	13
180	H.06.180	H.07.180	H.08.180	H.09.180	H.10.180	H.11.180	H.12.180	H.13.180
200	H.06.200	H.07.200	H.08.200	H.09.200	H.10.200	H.11.200	H.12.200	H.13.200
220	H.06.220	H.07.220	H.08.220	H.09.220	H.10.220	H.11.220	H.12.220	H.13.220
240	H.06.240	H.07.240	H.08.240	H.09.240	H.10.240	H.11.240	H.12.240	H.13.240
260	H.06.260	H.07.260	H.08.260	H.09.260	H.10.260	H.11.260	H.12.260	H.13.260
280	H.06.280	H.07.280	H.08.280	H.09.280	H.10.280	H.11.280	H.12.280	H.13.280
300	H.06.300	H.07.300	H.08.300	H.09.300	H.10.300	H.11.300	H.12.300	H.13.300

Materijal: ISO 5832-1 (medicinski čelik)
 / Material for implantation Stainless Steel ISO 5832/1

T.I.K. HUMERUS


 Zaklopni zavrtnaj 2
/ End cap 2

Kataloški br. / Catalog number	Zaklopni zavrtnaj (2) / End cap (2)	Za prečnike klinova / Diameter of the nail [mm]
IK.ZZ.M5	M5	6, 7, 8, 9
IK.ZZ.M8.H	M8	10, 11, 12, 13

Zavrtnaj: proximal 3, distal 4
za kataloške brojeve videti str. 40
/ Screw: proximal 3, distal 4
for catalog number see page no. 40

Prečnik klina (mm) /Diameter of the nail (mm)	PROXIMAL (3)			DISTAL (4)			IGLA VODILJA / GUIDING NAIL (mm)
	ZAVRTANJ / SCREW (mm)	BURGIJA / DRILL (mm)	TROKAR / TROCER (mm)	ZAVRTANJ / SCREW (mm)	BURGIJA / DRILL (mm)	TROKAR / TROCER (mm)	
7	Ø3.5	Ø2.7	4.5	Ø3.5	Ø2.7	3.5	Ø2.5
8	Ø3.5	Ø2.7	4.5	Ø3.5	Ø2.7	3.5	Ø2.5
9	Ø3.5	Ø2.7	4.5	Ø3.5	Ø2.7	3.5	Ø2.5
10	Ø3.5	Ø2.7	4.5	Ø3.5	Ø2.7	3.5	Ø2.5
11	Ø3.5	Ø2.7	4.5	Ø3.5	Ø2.7	3.5	Ø2.5
12	Ø3.5	Ø2.7	4.5	Ø3.5	Ø2.7	3.5	Ø2.5

Materijal: ISO 5832-1 (medicinski čelik)
/ Material for implantation Stainless Steel ISO 5832/1

NAPOMENA: Pored dimenzija navedenih u tabelama, mogu se izrađivati i po posebnim zahtevima
NOTE: Additional dimensions can be made upon request

T.I.K. TIBIA

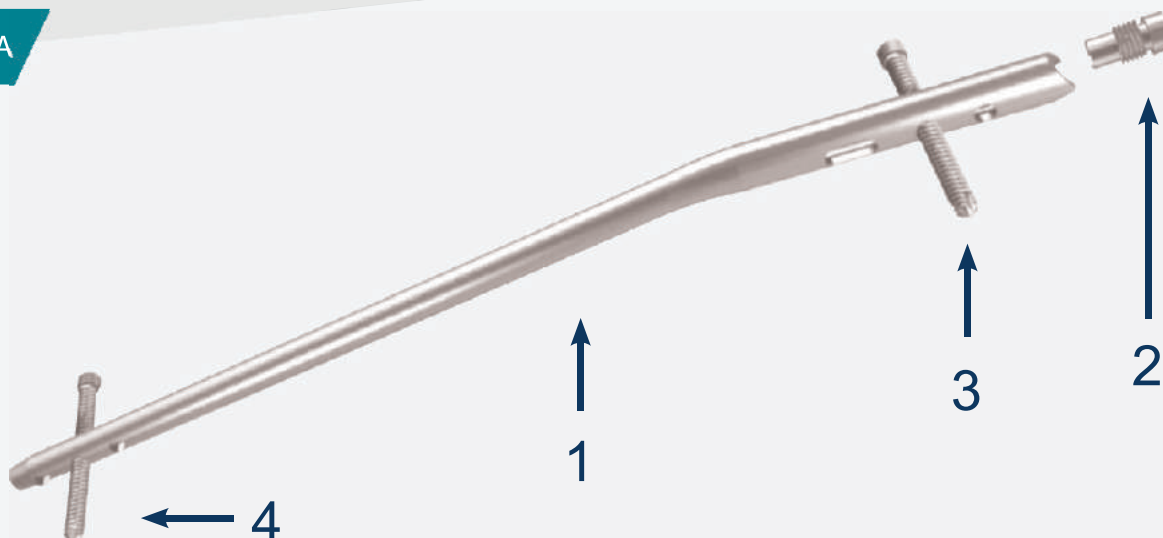


Tibia klin (1)
/ Tibia nail (1)

Dužina (mm) /Length (mm)	Prečnik (mm) / Diameter (mm)				
	8	9	10	11	12
260	T.08.260	T.09.260	T.10.260	T.11.260	T.12.260
280	T.08.280	T.09.280	T.10.280	T.11.280	T.12.280
300	T.08.300	T.09.300	T.10.300	T.11.300	T.12.300
315	T.08.315	T.09.315	T.10.315	T.11.315	T.12.315
320	T.08.320	T.09.320	T.10.320	T.11.320	T.12.320
340	T.08.340	T.09.340	T.10.340	T.11.340	T.12.340
345	T.08.345	T.09.345	T.10.345	T.11.345	T.12.345
360	T.08.360	T.09.360	T.10.360	T.11.360	T.12.360
380	T.08.380	T.09.380	T.10.380	T.11.380	T.12.380
400	T.08.400	T.09.400	T.10.400	T.11.400	T.12.400

Materijal: ISO 5832-1 (medicinski čelik)
/ Material for implantation Stainless Steel ISO 5832/1

T.I.K. TIBIA


 Zaklopni zavrtnaj 2
/ End cap 2

Kataloški br. /Catalog number	Zaklopni zavrtnaj 2 / End cap 2
IK.ZZ.M10x1	M10

Zavrtnaj: proximal 3, distal 4
za kataloške brojeve videti str. 40
/ Screw: proximal 3, distal 4
for catalog number see page no. 40

Prečnik klina (mm) /Diameter of the nail (mm)	PROXIMAL 3			DISTAL 4			IGLA VODILJA / GUIDING NAIL (mm)
	ZAVRTANJ / SCREW (mm)	BURGIJA / DRILL (mm)	TROKAR / TROCER (mm)	ZAVRTANJ / SCREW (mm)	BURGIJA / DRILL (mm)	TROKAR / TROCER (mm)	
8	Ø4.5	Ø3.5	4.5	Ø3.5	Ø2.7	3.5	Ø3.0
9	Ø4.5	Ø3.5	4.5	Ø4.5	Ø3.5	3.5	Ø3.0
10	Ø4.5	Ø3.5	4.5	Ø4.5	Ø3.5	3.5	Ø3.0
11	Ø4.5	Ø3.5	4.5	Ø4.5	Ø3.5	3.5	Ø3.0
12	Ø4.5	Ø3.5	4.5	Ø4.5	Ø3.5	3.5	Ø3.0

Materijal: ISO 5832-1 (medicinski čelik)
/ Material for implantation Stainless Steel ISO 5832/1

NAPOMENA: Pored dimenzija navedenih u tabelama, mogu se izrađivati i po posebnim zahtevima
NOTE: Additional dimensions can be made upon request

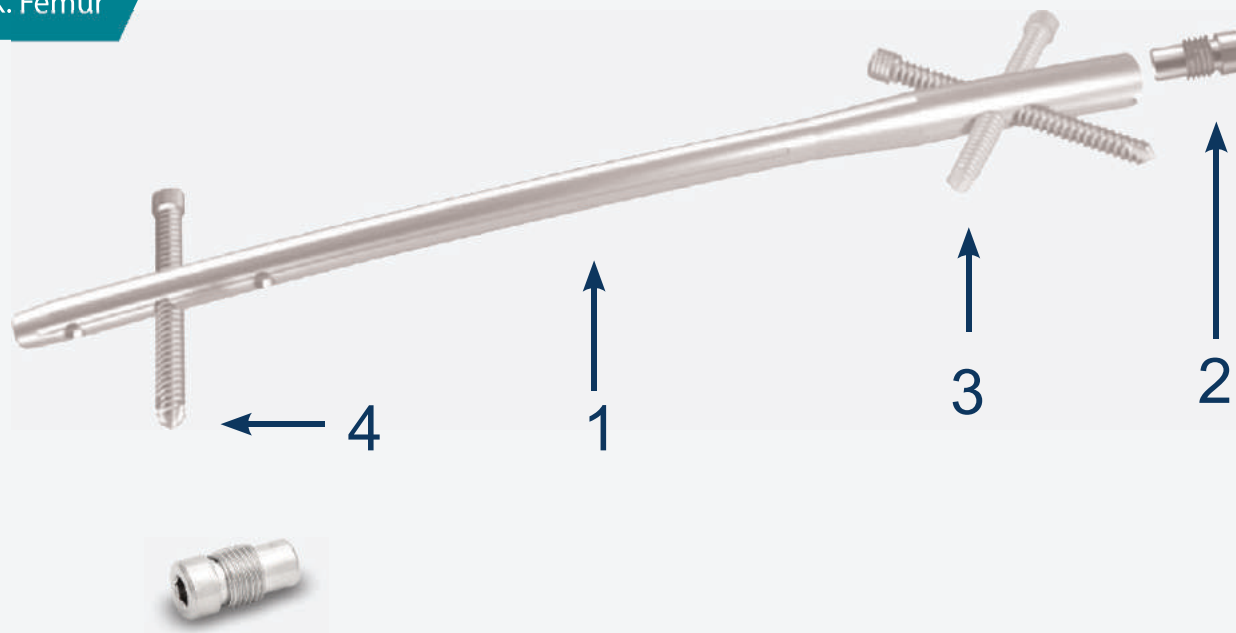
T.I.K. Femur


 Femur klin (1)
 / Femoral nail (1)

Dužina [mm] /Length [mm]	Prečnik [mm] / Diameter [mm]							
	8	9	10	11	12	13	14	15
260	F.08.260	F.09.260	F.10.260	F.11.260	F.12.260	F.13.260	F.14.260	F.15.260
280	F.08.280	F.09.280	F.10.280	F.11.280	F.12.280	F.13.280	F.14.280	F.15.280
300	F.08.300	F.09.300	F.10.300	F.11.300	F.12.300	F.13.300	F.14.300	F.15.300
320	F.08.320	F.09.320	F.10.320	F.11.320	F.12.320	F.13.320	F.14.320	F.15.320
340	F.08.340	F.09.340	F.10.340	F.11.340	F.12.340	F.13.340	F.14.340	F.15.340
360	F.08.360	F.09.360	F.10.360	F.11.360	F.12.360	F.13.360	F.14.360	F.15.360
380	F.08.380	F.09.380	F.10.380	F.11.380	F.12.380	F.13.380	F.14.380	F.15.380
400	F.08.400	F.09.400	F.10.400	F.11.400	F.12.400	F.13.400	F.14.400	F.15.400
420	F.08.420	F.09.420	F.10.420	F.11.420	F.12.420	F.13.420	F.14.420	F.15.420
440	F.08.440	F.09.440	F.10.440	F.11.440	F.12.440	F.13.440	F.14.440	F.15.440
460	F.08.460	F.09.460	F.10.460	F.11.460	F.12.460	F.13.460	F.14.460	F.15.460

Materijal: ISO 5832-1 (medicinski čelik)
 / Material for implantation Stainless Steel ISO 5832/1

T.I.K. Femur



Zaklopni zavrtanj 2
/ End cap 2

Kat.br. / Catalog no.	Zaklopni zavr. 2 / End cap 2	Za preč. klinova / Diameter of the nail (mm)
IK.ZZ.M10	M10	13,14,15,16
IK.ZZ.M8	M8	8,9,10,11,12

Zavrtanj: proximal 3, distal 4
za kataloške brojeve videti str. 40
/ Screw: proximal 3, distal 4
for catalog number see page no. 40

Prečnik klina (mm) /Diameter of the nail (mm)	PROXIMAL 3			DISTAL 4			IGLA VODILJA / GUIDING NAIL (mm)
	ZAVRTANJ / SCREW (mm)	BURGIJA / DRILL (mm)	TROKAR / TROCAR (mm)	ZAVRTANJ / SCREW (mm)	BURGIJA / DRILL (mm)	TROKAR / TROCAR (mm)	
8	Ø6.0	Ø5.0	4.5	Ø3.5	Ø2.7	3.5	Ø3.0
9	Ø6.0	Ø5.0	4.5	Ø4.5	Ø3.5	3.5	Ø3.0
10	Ø6.0	Ø5.0	4.5	Ø4.5	Ø3.5	3.5	Ø3.0
11	Ø6.0	Ø5.0	4.5	Ø4.5	Ø3.5	3.5	Ø3.0
12	Ø6.0	Ø5.0	4.5	Ø4.5	Ø3.5	3.5	Ø3.0
13	Ø6.0	Ø5.0	4.5	Ø4.5	Ø3.5	3.5	Ø3.0
14	Ø6.0	Ø5.0	4.5	Ø4.5	Ø3.5	3.5	Ø3.0
15	Ø6.0	Ø5.0	4.6	Ø4.5	Ø3.5	3.5	Ø3.0

Materijal: ISO 5832-1 (medicinski čelik)
/ Material for implantation Stainless Steel ISO 5832/1

Y klin
 /Y nail

 Y klin (1)
 /Y nail (1)

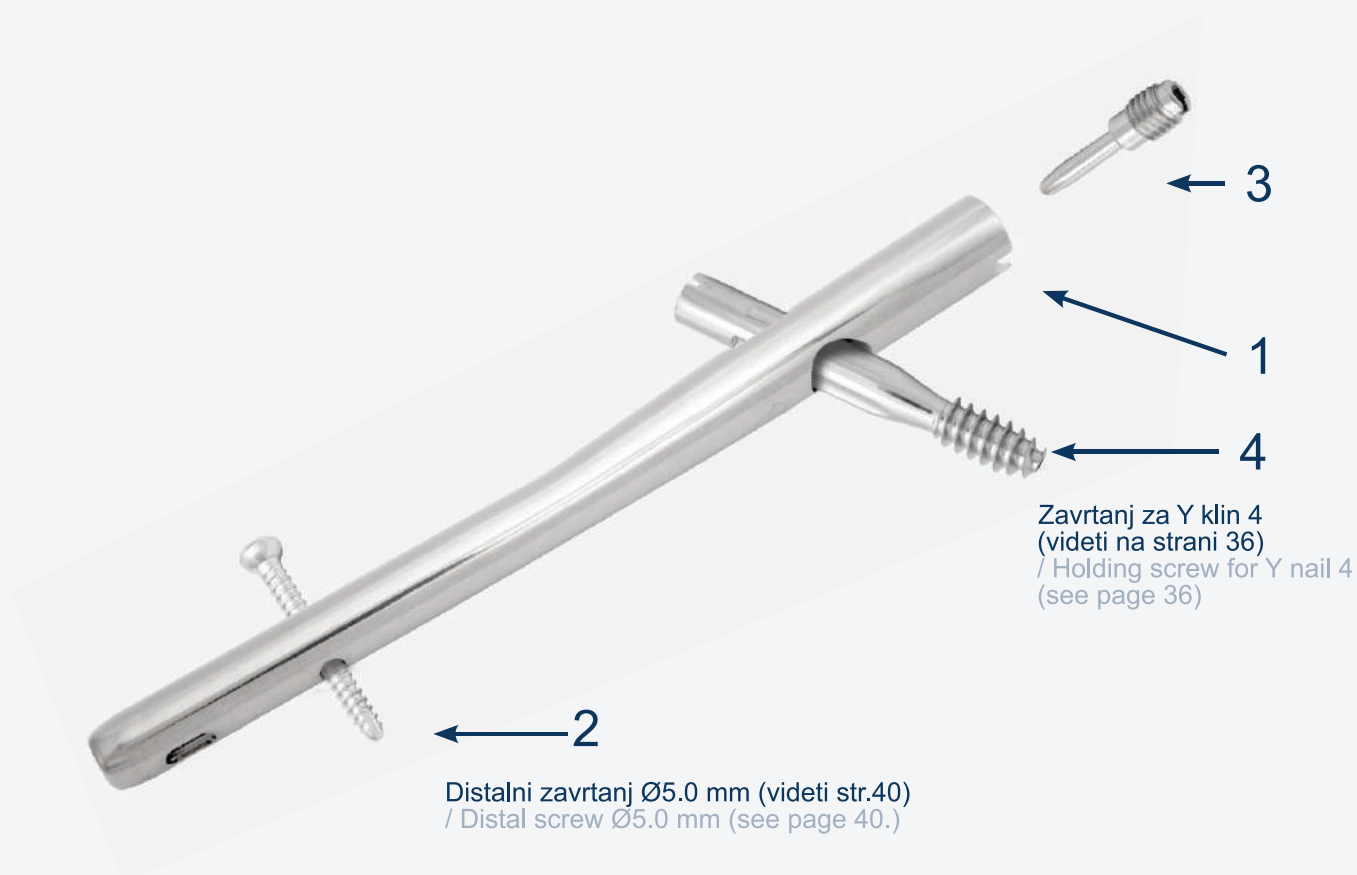
Dužina [mm] / Length [mm]	Prečnik [mm] / Diameter [mm]					
	10	11	12	13	14	15
200	IK.Y.10.200	IK.Y.11.200	IK.Y.12.200	IK.Y.13.200	IK.Y.14.200	IK.Y.15.200

 Y klin - dugački (1)
 /Y nail long (1)

Dužina [mm] / Length [mm]	Levi / Desni Left/Right	Prečnik [mm] / Diameter [mm]				
		10	11	12	13	14
340	Levi / Left	IK.Y.10.340.L	IK.Y.11.340.L	IK.Y.12.340.L	IK.Y.13.340.L	IK.Y.14.340.L
	Desni / Right	IK.Y.10.340.D	IK.Y.11.340.D	IK.Y.12.340.D	IK.Y.13.340.D	IK.Y.14.340.D
360	Levi / Left	IK.Y.10.360.L	IK.Y.11.360.L	IK.Y.12.360.L	IK.Y.13.360.L	IK.Y.14.360.L
	Desni / Right	IK.Y.10.360.D	IK.Y.11.360.D	IK.Y.12.360.D	IK.Y.13.360.D	IK.Y.14.360.D
380	Levi / Left	IK.Y.10.380.L	IK.Y.11.380.L	IK.Y.12.380.L	IK.Y.13.380.L	IK.Y.14.380.L
	Desni / Right	IK.Y.10.380.D	IK.Y.11.380.D	IK.Y.12.380.D	IK.Y.13.380.D	IK.Y.14.380.D
400	Levi / Left	IK.Y.10.400.L	IK.Y.11.400.L	IK.Y.12.400.L	IK.Y.13.400.L	IK.Y.14.400.L
	Desni / Right	IK.Y.10.400.D	IK.Y.11.400.D	IK.Y.12.400.D	IK.Y.13.400.D	IK.Y.14.400.D

Materijal: ISO 5832-1 (medicinski čelik)
 / Material for implantation Stainless Steel ISO 5832/1

Y klin
/Y nail



Završni zavrtnaj 3
/ End cap 3

Kat. br. / Catalog no.	Završni zavrtnaj / End cap
IK.ZZ.M12.B	Blokirajući / Stopping

Materijal: ISO 5832-1 (medicinski čelik)
/ Material for implantation Stainless Steel ISO 5832/1

Zavrtnanj za Y klin
/ Holding screw for Y nail



Kataloški broj / Catalog number	Dužina [mm] / Length [mm]
NA.GK80	80
NA.GK85	85
NA.GK90	90
NA.GK95	95
NA.GK100	100
NA.GK105	105
NA.GK110	110
NA.GK115	115
NA.GK120	120
NA.GK125	125
NA.GK130	130
NA.GK135	135

Materijal: ISO 5832-1 (medicinski čelik)
/ Material for implantation Stainless Steel ISO 5832/1

Y klin sa dva paralelna zavrtnja / Y nail with two paralel screws



Dugi, levi
 /Long, left

Dužina [mm] /Length [mm]	10	11	12	13	14
340	IK.P.L.10340	IK.P.L.11340	IK.P.L.12340	IK.P.L.13340	IK.P.L.14340
360	IK.P.L.10360	IK.P.L.11360	IK.P.L.12360	IK.P.L.13360	IK.P.L.14360
380	IK.P.L.10380	IK.P.L.11380	IK.P.L.12380	IK.P.L.13380	IK.P.L.14380
400	IK.P.L.10400	IK.P.L.11400	IK.P.L.12400	IK.P.L.13400	IK.P.L.14400

Materijal: ISO 5832-1 (medicinski čelik)
 / Material for implantation Stainless Steel ISO 5832/1

Dugi, desni
 /Long, right

Dužina [mm] /Length [mm]	10	11	12	13	14
340	IK.P.D.10340	IK.P.D.11340	IK.P.D.12340	IK.P.D.13340	IK.P.D.14340
360	IK.P.D.10360	IK.P.D.11360	IK.P.D.12360	IK.P.D.13360	IK.P.D.14360
380	IK.P.D.10380	IK.P.D.11380	IK.P.D.12380	IK.P.D.13380	IK.P.D.14380
400	IK.P.D.10400	IK.P.D.11400	IK.P.D.12400	IK.P.D.13400	IK.P.D.14400

Materijal: ISO 5832-1 (medicinski čelik)
 / Material for implantation Stainless Steel ISO 5832/1

Kratki, univerzalni
 /Short, universal

Dužina [mm] /Length [mm]	10	11	12	13	14
180	IK.P.10.180	IK.P.11.180	IK.P.12.180	IK.P.13.180	IK.P.14.180

Materijal: ISO 5832-1 (medicinski čelik)
 / Material for implantation Stainless Steel ISO 5832/1

NAPOMENA: Pored dimenzija navedenih u tabelama, mogu se izrađivati i po posebnim zahtevima
 NOTE: Additional dimensions can be made upon request

Glavenovratni zavrtnj / Neck screw

Kataloški broj / Catalog number	Dužina (mm) / Length (mm)
NA.4070	70
NA.4075	75
NA.4080	80
NA.4085	85
NA.4090	90
NA.4095	95
NA.40100	100
NA.40105	105
NA.40110	110
NA.40115	115
NA.40120	120
NA.40125	125



Materijal: ISO 5832-1 (medicinski čelik)
/ Material for implantation Stainless Steel ISO 5832/1

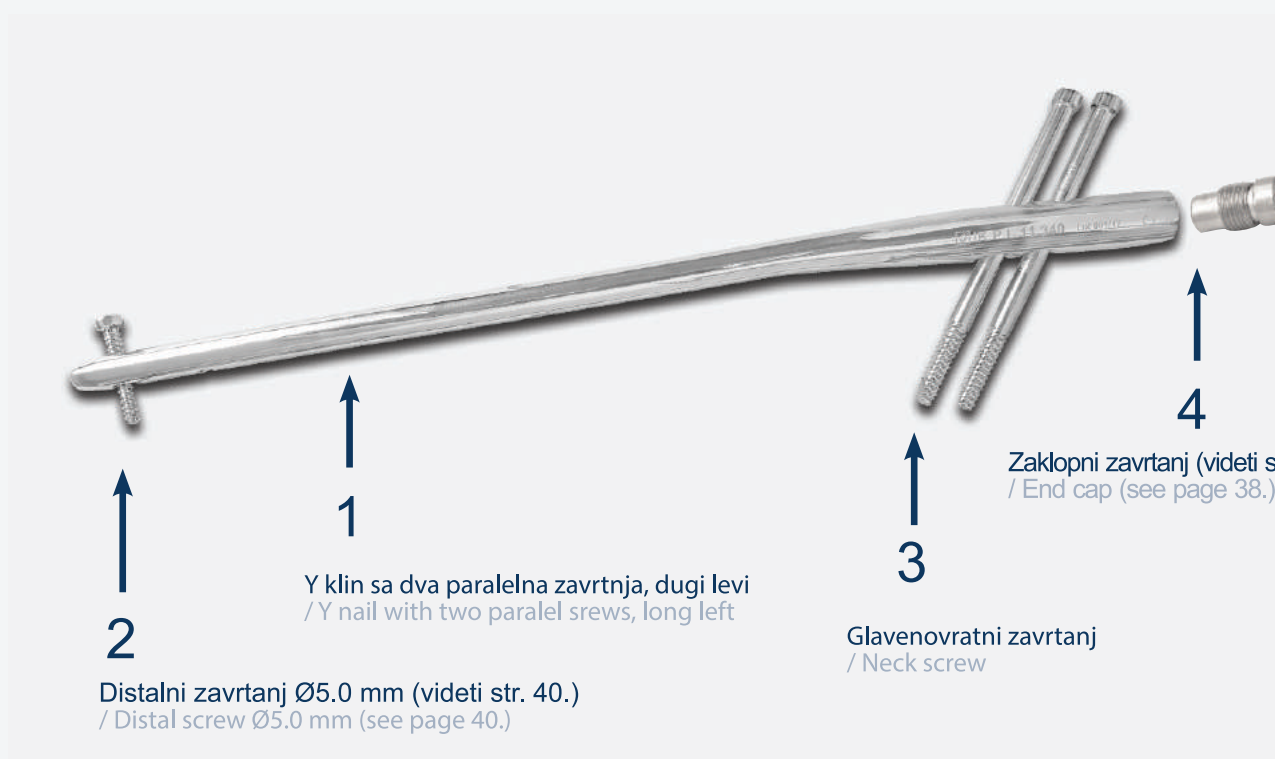


Zaklopni zavrtnj 4 / End cap 4

Kat.br. / Catalog no.	Zaklopni zavr. / End cap
IK.ZZ.M12	M12

Materijal: ISO 5832-1 (medicinski čelik)
/ Material for implantation Stainless Steel ISO 5832/1

Y klin sa dva paralelna zavrtnja
/ Y nail with two paralel screws



Transfiksacioni zavrtnji / Transfixation screws for nails

Transfiksacioni / Transfixation Ø4.5 mm	Dužina /Length [mm]
NA.030.30	30
NA.030.32	32
NA.030.34	34
NA.030.36	36
NA.030.38	38
NA.030.40	40
NA.030.42	42
NA.030.44	44
NA.030.46	46
NA.030.48	48
NA.030.50	50
NA.030.52	52
NA.030.54	54
NA.030.56	56
NA.030.58	58
NA.030.60	60

Transfiksacioni / Transfixation Ø5.0 mm	Dužina /Length [mm]
NA.031.30	30
NA.031.32	32
NA.031.34	34
NA.031.36	36
NA.031.38	38
NA.031.40	40
NA.031.42	42
NA.031.44	44
NA.031.46	46
NA.031.48	48
NA.031.50	50
NA.031.52	52
NA.031.54	54
NA.031.56	56
NA.031.58	58
NA.031.60	60

Transfiksacioni / Transfixation Ø6.0 mm	Dužina /Length [mm]
NA.032.40	40
NA.032.42	42
NA.032.44	44
NA.032.46	46
NA.032.48	48
NA.032.50	50
NA.032.52	52
NA.032.54	54
NA.032.56	56
NA.032.58	58
NA.032.60	60
NA.032.62	62
NA.032.64	64
NA.032.66	66
NA.032.68	68
NA.032.70	70
NA.032.72	72
NA.032.74	74
NA.032.76	76
NA.032.78	78
NA.032.80	80
NA.032.82	82
NA.032.84	84
NA.032.86	86
NA.032.88	88
NA.032.90	90



Materijal: ISO 5832-1 (medicinski čelik)
/ Material for implantation Stainless Steel ISO 5832/1

Kinčer klin za tibi
/ Kincher nail for tibia

Dužina [mm] / Length [mm]	Prečnik [mm] / Diameter [mm]			
	11	12	13	14
340	KK.T.11.340	KK.T.12.340	KK.T.13.340	KK.T.14.340
360	KK.T.11.360	KK.T.12.360	KK.T.13.360	KK.T.14.360
380	KK.T.11.380	KK.T.12.380	KK.T.13.380	KK.T.14.380
400	KK.T.11.400	KK.T.12.400	KK.T.13.400	KK.T.14.400
420	KK.T.11.420	KK.T.12.420	KK.T.13.420	KK.T.14.420
440	KK.T.11.440	KK.T.12.440	KK.T.13.440	KK.T.14.440

Materijal: ISO 5832-1 (medicinski čelik)
/ Material for implantation Stainless Steel ISO 5832/1

Kinčer klin za femur / Kincher nail for femur



Dužina [mm] / Length [mm]	Prečnik [mm] / Diameter [mm]			
	11	12	13	14
340	KK.F.11.340	KK.F.12.340	KK.F.13.340	KK.F.14.340
360	KK.F.11.360	KK.F.12.360	KK.F.13.360	KK.F.14.360
380	KK.F.11.380	KK.F.12.380	KK.F.13.380	KK.F.14.380
400	KK.F.11.400	KK.F.12.400	KK.F.13.400	KK.F.14.400
440	KK.F.11.440	KK.F.12.440	KK.F.13.440	KK.F.14.440

Materijal: ISO 5832-1 (medicinski čelik)
/ Material for implantation Stainless Steel ISO 5832/1